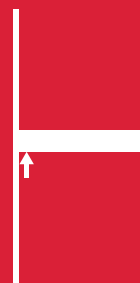


KALABRONE

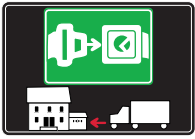


WOOD AND
GLASS
SHELVING
SYSTEMS



SYMBOLS AND FINISHES LEGEND

SYMBOLS



= SHELF SAFELY LOCKED DURING TRANSPORTATION AND AT HOME.



= ANTI-TURNOVER LOCKING SYSTEM



= NORMS / PATENTS



= PHILLIPS / POZIDRIV



= NEWTON



= PART.NO



= HEXAGONAL SOCKET



= FRICTION



= PCS. PER PACKAGE



= BLADE SLOT



= AUTOMATIC



= CAPACITY LOADING



= COUNTERSUNK HEAD



= WOOD / GLASS THICKNESS



= PAN HEAD



= STANDARD HINGE



= HOLE DIAMETER



= FLANGE HEAD



= KIMANA HINGE



= DIAMETER



= FLAT HEAD



= FLAP HINGE



= LENGTH



= TRILOBULAR SCREW



= WITH SPRING



= HEIGHT



= SELF-TAPPING SCREW



= WITHOUT SPRING



= RIGHT VERSION



= EURO THREAD



= REVERSED SPRING



= LEFT VERSION



= METRIC THREAD



= FOR ROUND TUBE



= PCS. PER PAD



= PRE-INSERTED SCREW AND SPREADING BUSH



= FOR OVAL TUBE



= CUT ON REQUEST



= WITH BUFFER



= WITH FLANGE



= SELF ADHESIVE



= WITH MAGNET

MATERIALS

ZA = Zinc Alloy	ST = Steel	HSS = High Speed Steel	BR = Brass	ABS = Acrylonitrile Butadiene Styrene
ZAnk = Nickel-plated Zinc Alloy	STzk = Zinc-plated Steel	AL = Aluminium	WD = Wood	EVA = Ethylene Vinyl Acetate

EP = **ENGINEERING PLASTIC**


+ **EP** = other engineering plastic available on request

SR = **SOFT RUBBER**

+ **SR** = other soft rubber available on request

EPn = Natural Engineering Plastic	EPc = Clear Engineering Plastic	SRn = Natural Soft Rubber
EPw = White Engineering Plastic	EPg = Grey Engineering Plastic	SRw = White Soft Rubber
EPwg = Water Green Engineering Plastic		SRb = Black Soft Rubber

FINISHES

+  = OTHER FINISHES AVAILABLE ON REQUEST

PART. NO	FINISHES	PART. NO	FINISHES	PART. NO	FINISHES
AA	Natural	JB	Bright Aluminium	PZ	Beech
AB	White	JC	Aluminium - Chrome	QA	Maple
AC	Opal White	JD	Matt Aluminium	QB	Walnut
AE	White 9010	JE	Satin-finished Aluminium	WA	Bronzed
AK	Champagne	JF	Aluminium - Brass	WI	Burnished
AL	Ivory	JG	Aluminium 5	XD	Satin-finished Steel
EA	Black	JL	Aluminium PE 11	YA	Nickel-plated
EB	Glossy Black	JM	Aluminium RAL 9006	YB	Bright Nickel-plated
EC	Matt Black	KA	Chrome	YC	Matt Nickel-plated
GR	Raw	KB	Bright Chrome	YD	Satin-finished Nickel-plated
HA	Brass-Plated	KC	Matt Chrome	ZA	Zinc alloy
HH	Tropicalized	MA	Brown	ZN	Zinc-plated
HL	Raw Brass	MB	Light Brown 1	ZQ	Bright Gold
IA	Grey	NN	Metallic Beige	ZY	Titanium
IB	Metallic Grey	NO	Beige	ZZ	Clear
IF	Middle Grey	OA	Oak	00	Insignificant finish
IJ	Light Grey	OZ	Ash		
IL	Grey 20	PA	Light Ash		
JA	Aluminium	PY	Cherry		

KALABRONE

KALABRONE is the new shelf support for free-standing shelves created by Italiana Ferramenta Srl. Boasting a captivating design, it perfectly meets the actual market demands.


It is suitable for shelves from 8 to 30 mm thick. Its solid structure guarantees a capacity loading of 25 kg for each support with a shelf 320 mm deep.

KALABRONE comes with 2 adjustments:

- Vertical: through the oval hole positioned on the upper bracket
- Inclination: through an adjustable screw positioned on the main support

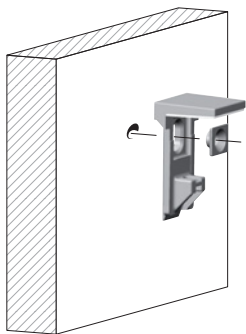
The soft element made of engineering plastic positioned on the upper bracket guarantees a perfect adhesion to the shelf, thus avoiding that the shelf is accidentally removed.

8-30 mm 

25 kg for each shelf support
for shelf 320 mm deep 

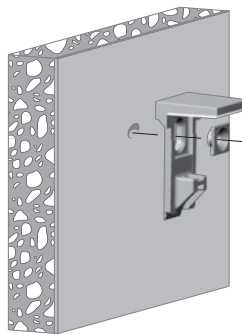
REGISTERED DESIGN 

WOOD PANEL



Recommended fixing countersunk screw type - head Ø 5 mm max.

SOLID AND PLASTERBOARD WALLS

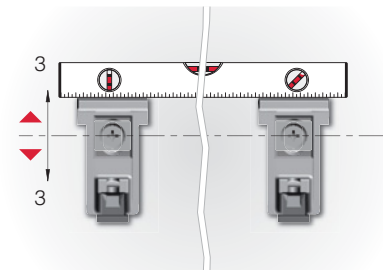


It is the responsibility of the customer:

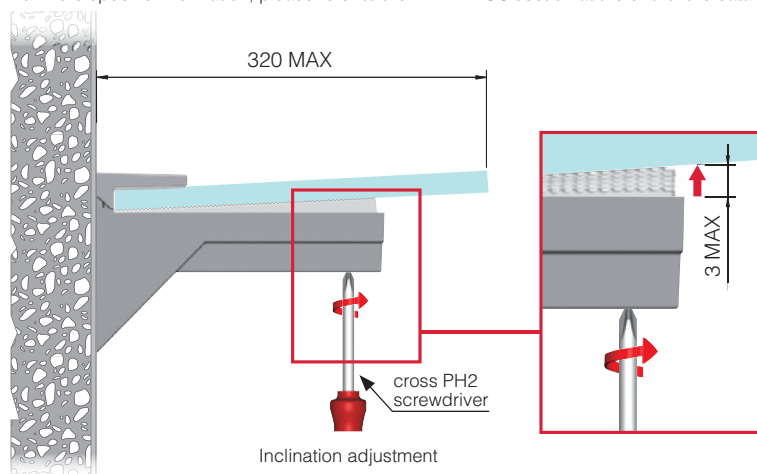
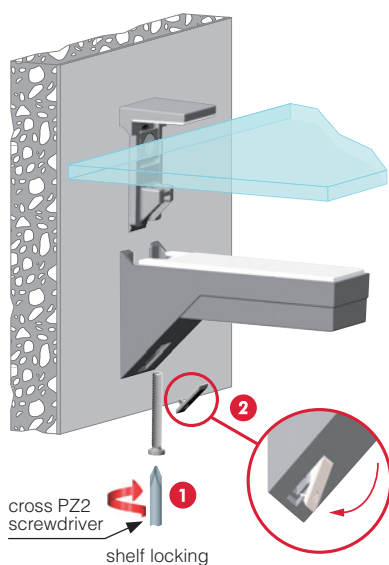
- to ensure that the wall is of a suitable quality to hold the shelf fixing in place.
- to use the proper hardware fittings according to the construction of the wall.

For more specific information, please refer to the WARNINGS section at the end of the catalogue.

BRACKET ALIGNMENT

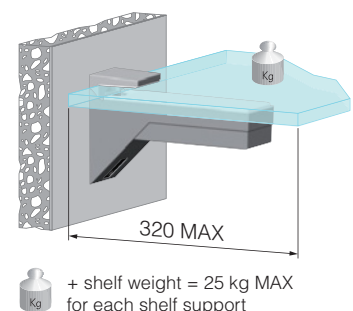
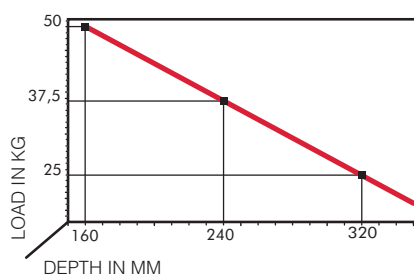


SHELF LOCKING AND INCLINATION ADJUSTMENT



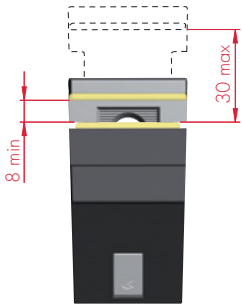
COMBINATION SHELF LOAD AND SHELF DEPTH

(The figures refer to 1 shelf support)

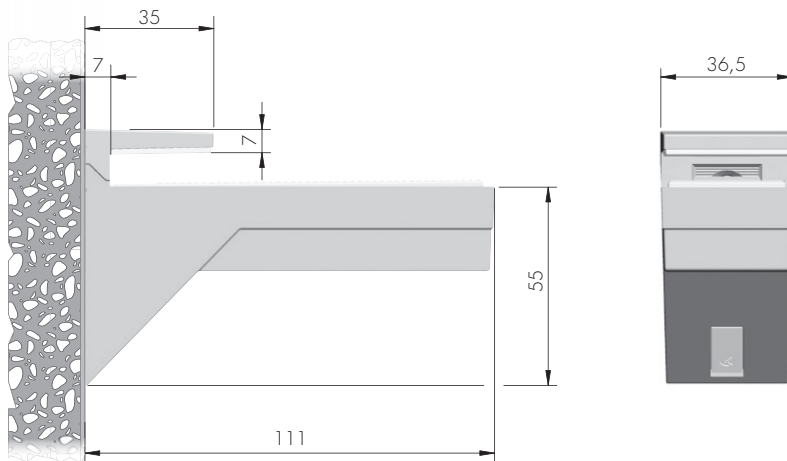




Glass, wood and honeycomb shelves



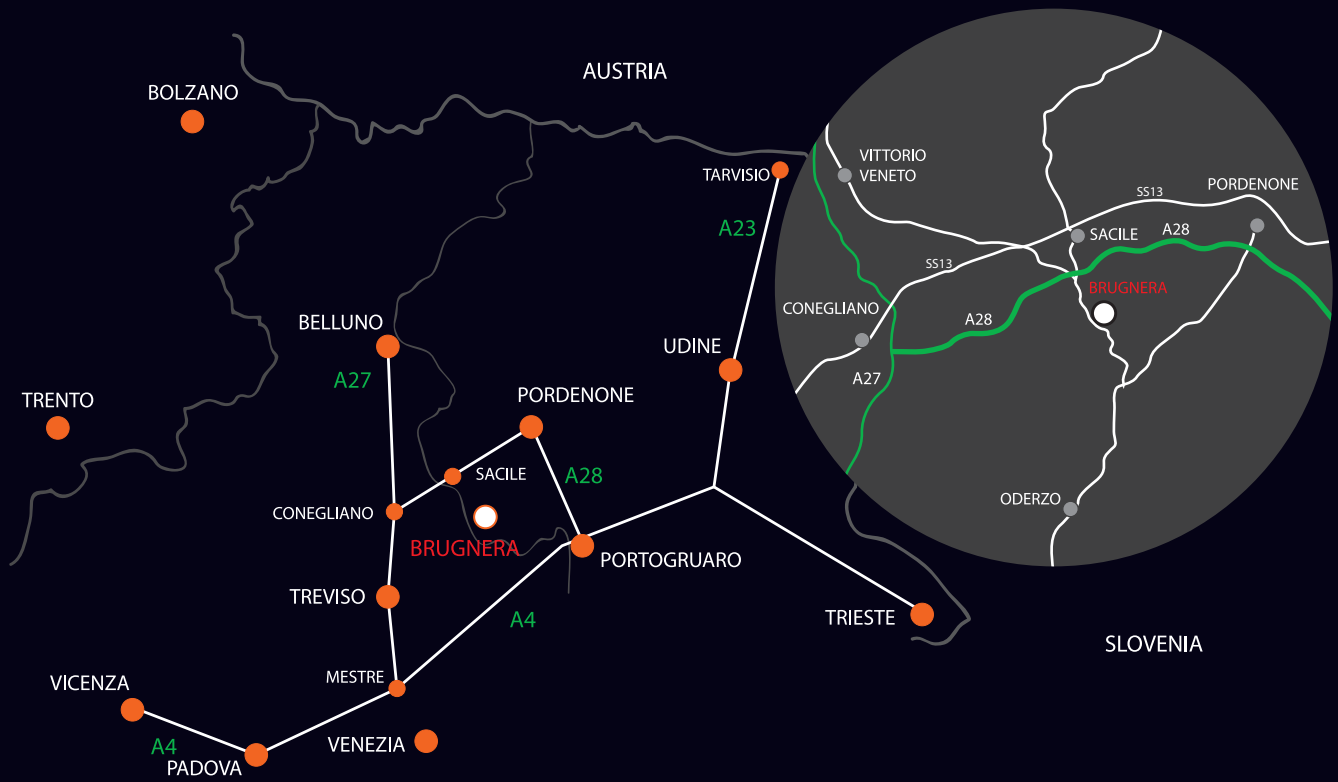
Shelf is clamped between a layer of ridged plastic on the lower side and soft rubber on the upper side (coloured parts).



	= PZ2 - PH2		
			= 24 pairs
16220010JM			
16220010YD			
16220010AE			
16220010KB			

NOTE: KALABRONE is supplied in carton box including 2 pieces, accessories and fitting guide. Fixing screws to wall not included.





www.italianaferramenta.com